

10K CAST STAINLESS STEEL BALL VALVE FLANGED ENDS

KITZ Fig: 10UTDZM

Sizes: 2 1/2-inch(65-mm)

IS05211

Standards

- End to End: ASME B16.10 CLASS 150
- End Connection: JIS B2220 10K
- Wall Thickness: ASME B16.34 CLASS 150

Test Standard

- KITZ STANDARD

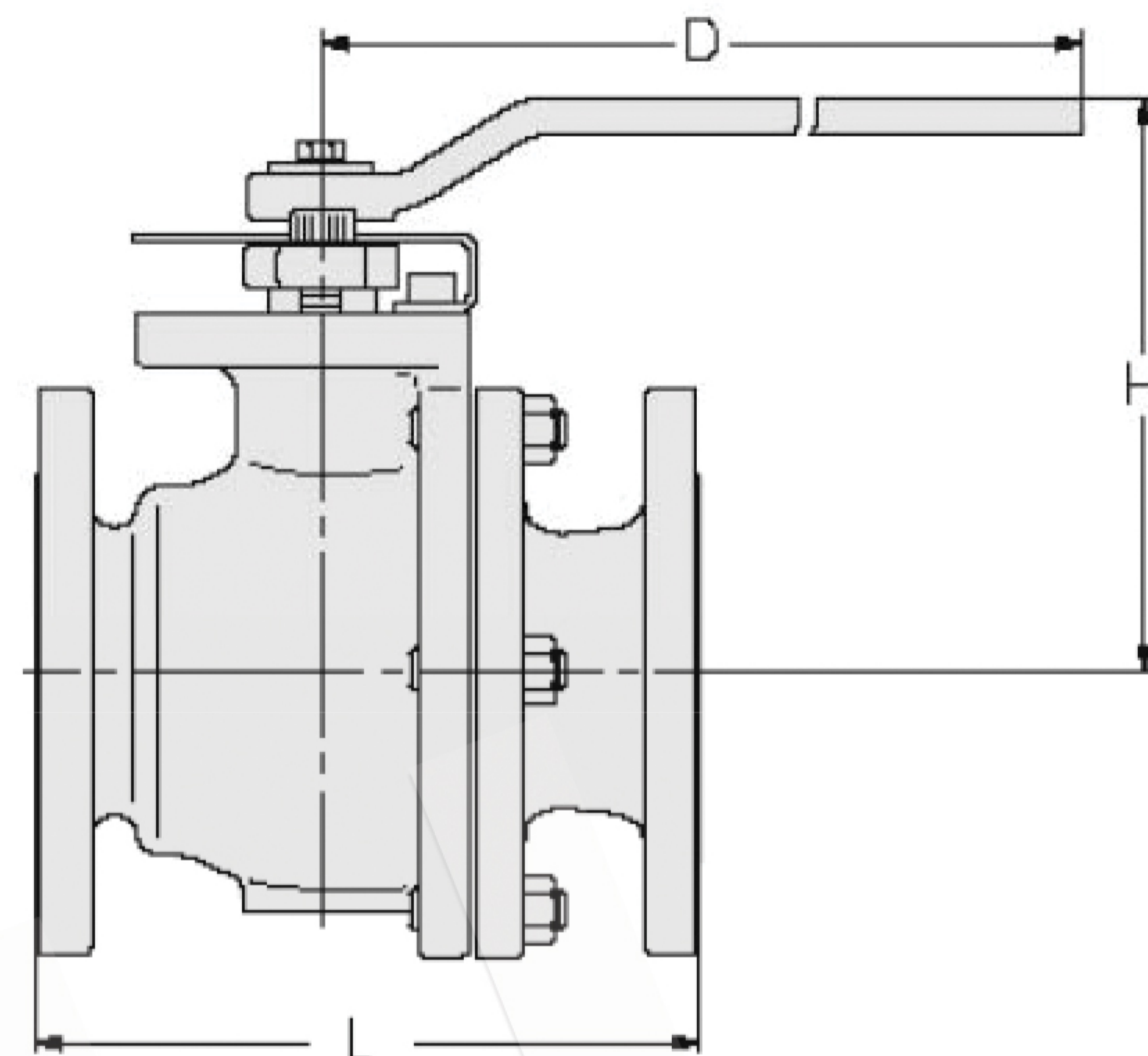
Approvals

65-200 mm (2 1/2-8 inch)

approved

Dimensions

SIZE(inch/mm)		L	L1	H	D1	Kg
2 1/2	65	190.0		179.0	400.0	
3	80	203.0		188.0	400.0	
4	100	229.0		224.0	460.0	
5	125	356.0		240.0	460.0	
6	150	394.0		314.0	1000.0	
8	200	457.0		406.0	1500.0	



Specifications

10K CAST STAINLESS STEEL BALL VALVE FLANGED ENDS

End to End : ASME B16.10 CLASS 150, End Connection : JIS B2220 10K, Wall Thickness : ASME B16.34 CLASS 150, Test Standard : KITZ STANDARD, Sizes : 2 1/2-inch(65-mm), Approvals : 65-200 mm (2 1/2-8 inch), ,KITZ Fig : 10UTDZM